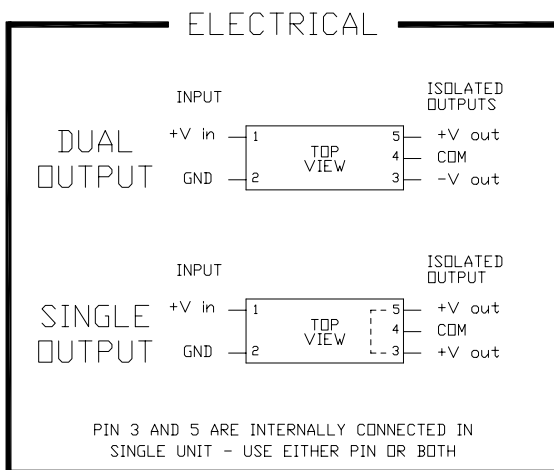
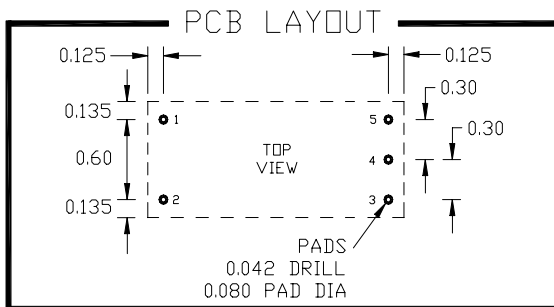
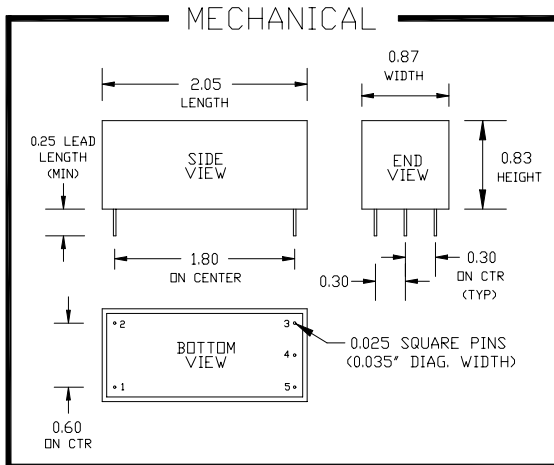


"XE" HIGH-ISOLATION DC-DC CONVERTER

Revised 1 Sept, 2009



AEB Sapphire Corp. "XE-Series" converters are highly-isolated DC-to-DC converters for applications where "floating", isolated circuitry requires an independent low voltage power source, such as:

- isolated feedback circuits
- gate-drive circuitry
- off-line power systems
- optically isolated telemetry, sensory circuits
- "spot" power in high voltage and hot-ground systems

Perfect for powering any device or circuit that operates across a high voltage isolation barrier, these units will deliver up to 1 watt of power and are PC mountable.

- Very high isolation potential - 15KVDC / 10KVAC rms (60Hz)
- 1.7" creepage distance - input to output
- Flexible input, output configurations available
- Permissible input voltage range $\pm 10\%$ of rated
- 3% output regulation and low ripple (single output)
- 1 Watt output
- Compact 2.05L x 0.87W x 0.83H case size
- Convenient PCB mounting
- Epoxy encapsulation for reliability, ruggedness
- Can be ganged for increased output voltage, power
- Custom versions available in sufficient quantities

To order, specify Part Number as follows:

| RATED INPUT | OUTPUT | PART NUMBER |
|-------------|----------------|---------------|
| 12V | 5V SINGLE | XE1000-12-05S |
| | $\pm 5V$ DUAL | XE1000-12-05D |
| | 12V SINGLE | XE1000-12-12S |
| | $\pm 12V$ DUAL | XE1000-12-12D |
| | 15V SINGLE | XE1000-12-15S |
| | $\pm 15V$ DUAL | XE1000-12-15D |
| 15V | 5V SINGLE | XE1000-15-05S |
| | $\pm 5V$ DUAL | XE1000-15-05D |
| | 12V SINGLE | XE1000-15-12S |
| | $\pm 12V$ DUAL | XE1000-15-12D |
| | 15V SINGLE | XE1000-15-15S |
| | $\pm 15V$ DUAL | XE1000-15-15D |
| 24V | 5V SINGLE | XE1000-24-05S |
| | $\pm 5V$ DUAL | XE1000-24-05D |
| | 12V SINGLE | XE1000-24-12S |
| | $\pm 12V$ DUAL | XE1000-24-12D |
| | 15V SINGLE | XE1000-24-15S |
| | $\pm 15V$ DUAL | XE1000-24-15D |

AEB SAPPHIRE CORPORATION

152 Ontario Avenue • Massapequa, NY • 11758-3937

Phone: (516) 586•8232 Fax: (516) 586•8233 E/M: sales@aepsapphire.com

www.aepsapphire.com

Quality D.C. Power Products / High Voltage Equipment / Sales and Service / Since 1995